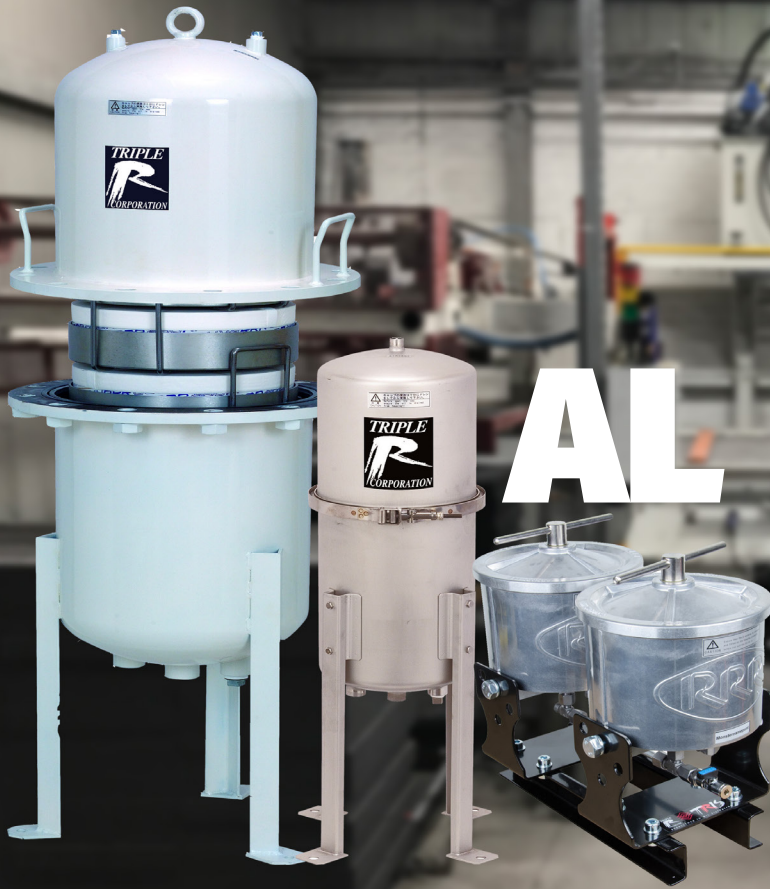


AL | SS | SU series



TRIPLE R OIL CLEANER: AL | SS | SU SERIES BYPASS OIL CLEANERS



AL | SS | SU series

BYPASS OIL CLEANER



Triple R

TRIS | Triple R Industrial Services
Triple R Oil Cleaner

www.tris.pro

www.tris.pro

Triple R Oil Cleaner | TRIS: importer, sales, assembly and engineering of Triple R products. Incentive provider of the Green Award.
Get in contact: Topaasstraat 5 7554 TJ Hengelo the Netherlands. T: +31(0)742428109 E: info@tris.pro W: www.tris.pro
© 2018 TRIS B.V. all rights reserved



Effectively remove particles, water and varnish!

The AL, SS and SU series from Triple R has been designed to purify and keep oil clean. The system ensures effective filtering of all dirt particles, condensation and oxidation products (resins) that cannot usually be removed with conventional filters.

How it works

The system is connected as a bypass on a pressure (max. 6 bar) line, cooler, engine etc.

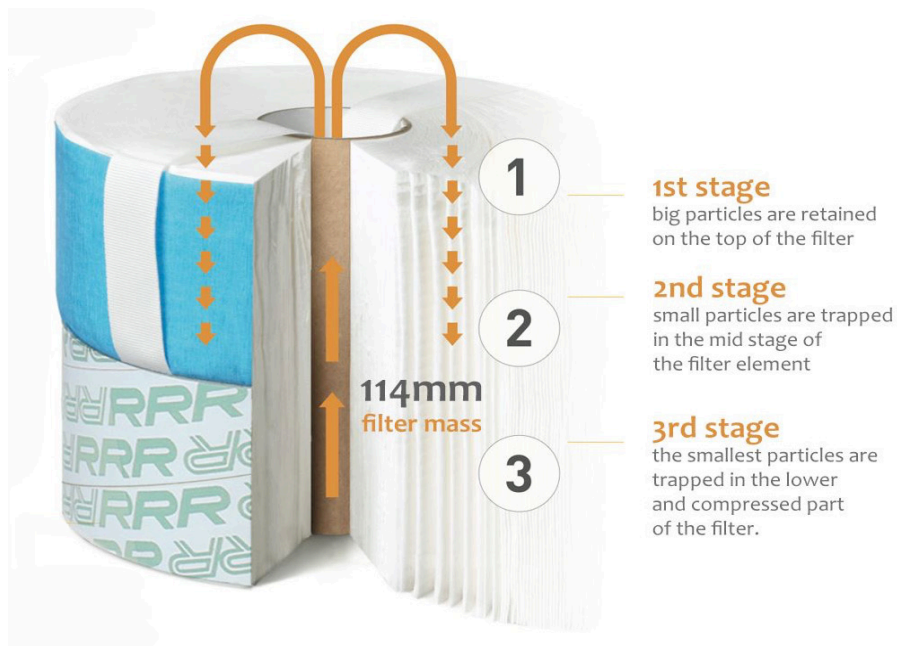
Benefits

- Prevents defects in hydraulic systems, engines and gearboxes
- Improves the reliability & productivity of your machines
- Extends the life of all hydraulic components, such as pumps, servo valves and seals
- Extends the life of the oil
- Extends the service life of standard filters
- Reduces maintenance costs
- Reduces oil consumption
- Reduces machine downtime

Technology

The oil is forced axially through the filter element with a pressureless return to the tank.

These series are available in a range of models including stainless steel.

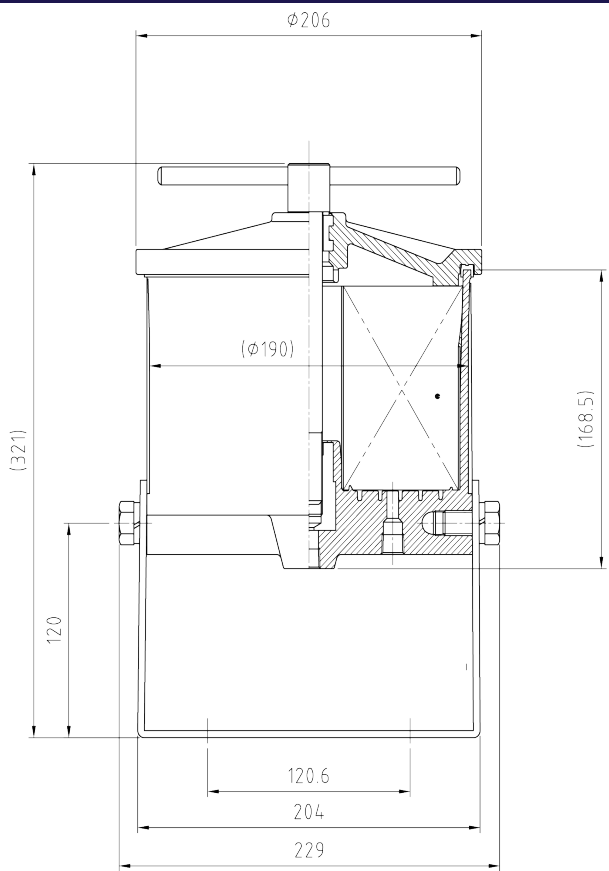




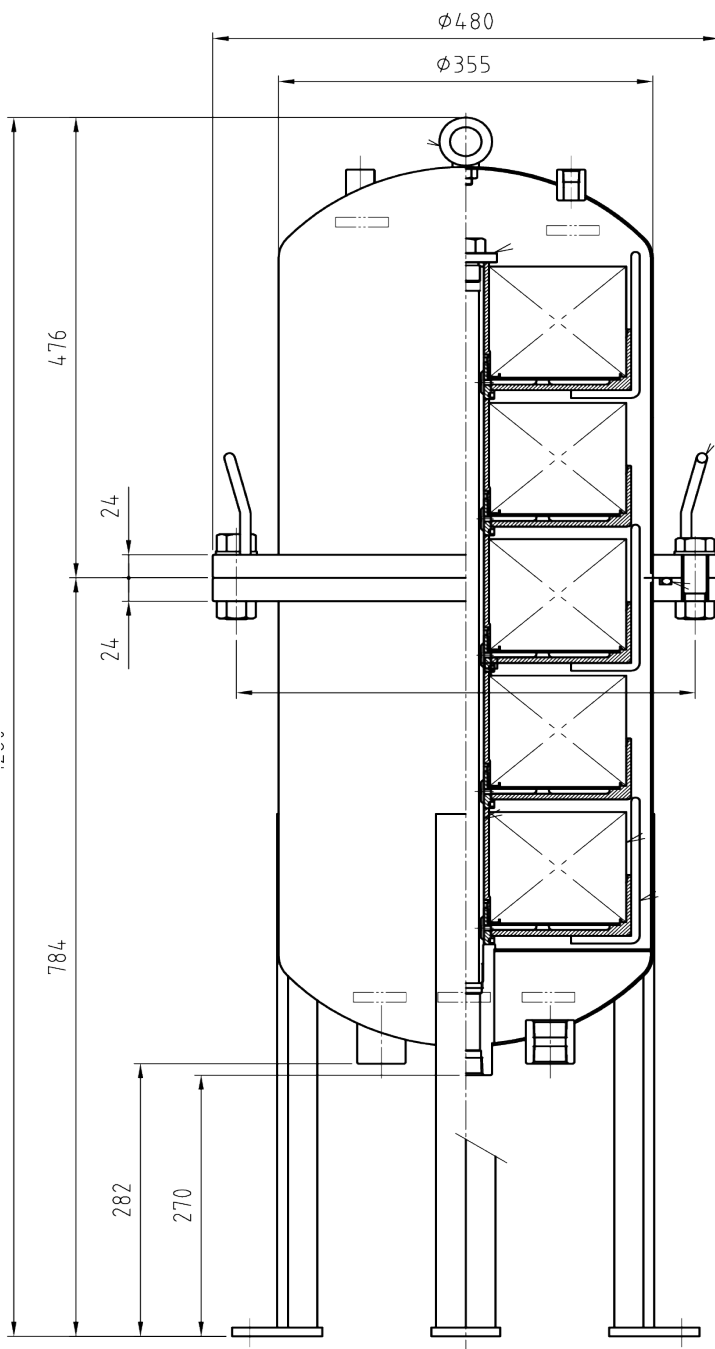
Triple R

AL | SS | SU series

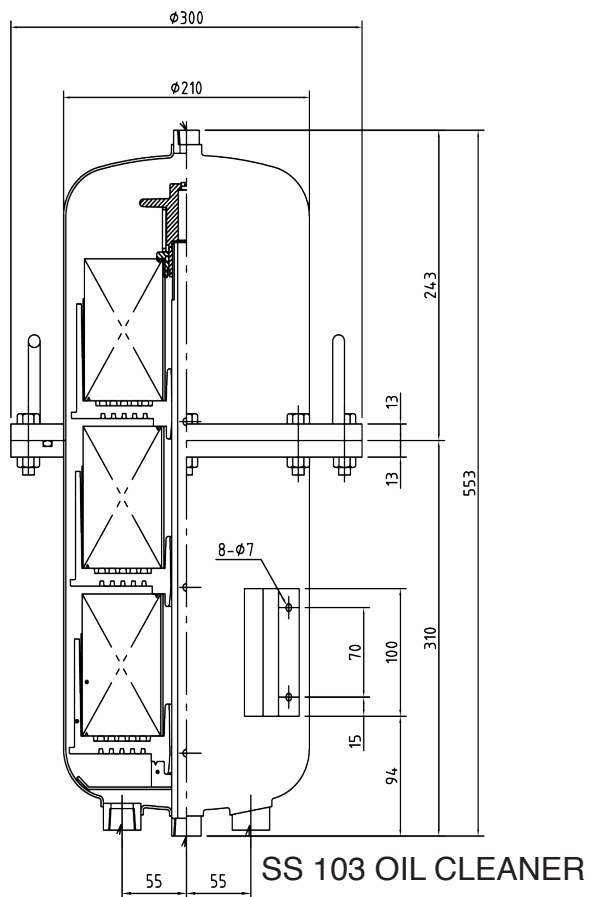
TRIPLE R OIL CLEANER: AL | SS | SU SERIES EXAMPLES



AL 100 OIL CLEANER



SS 305 OIL CLEANER



SS 103 OIL CLEANER

www.tris.pro





Triple R

AL | SS | SU series

TRIPLE R OIL CLEANER: AL | SS | SU SERIES SELECTION CHART

TOTAL HYDAULIC OIL VOLUME BASED ON MAX 180cSt					
MODEL	< 600L	< 1200L	< 1800L	< 2400L	> 3000L
AL-100	Green				
AL-200 SS-102 SU-102	Light Green	Green			
AL-300 SS-103 SU-103		Light Green	Green		
AL-400			Light Green	Green	
SS-305 SS-306				Light Green	Green

TOTAL LUBRICATION OIL VOLUME BASED ON MAX 460cSt					
MODEL	< 300L	< 600L	< 1000L	< 1250L	> 1250L
AL-100	Green				
AL-200 SS-102 SU-102	Light Green	Green			
AL-300 SS-103 SU-103		Light Green	Green		
AL-400			Light Green	Green	
SS-305 SS-306				Light Green	Green

www.tris.pro





Triple R

AL | SS | SU series

TRIPLE R OIL CLEANER: AL | SS | SU SERIES SELECTION CHART

		TOTAL ENGINE OIL VOLUME				
		< 35L	< 80L	< 150L	< 220L	> 800L
TRIPLE R SYSTEM FOR YOUR APPLICATION	MODEL					
	AL-100	Green				
	AL-200 SS-102 SU-102	Light Green	Green			
	AL-300 SS-103 SU-103		Light Green	Green		
	AL-400			Light Green	Green	
	SS-305 SS-306				Light Green	Green

TRIPLE R AL | SS | SU SERIES TECHNICAL DATA

MODEL	# of elements	Dimensions (cm)	IN / OUT	Material	Max. pressure (bar / MPa)
AL-100	1x 100 series	23 x 33	1/4" x 1/4"	ALU	6 / 0.6
AL-200 SS-102 SU-102	2x 100 series	45 x 36 30 x 60 23 x 60	10L x 10L 1/2" x 1/2" 1/2" x 1/2"	ALU STEEL STAINLESS	6 / 0.6 5 / 0.5 5 / 0.5
AL-300 SS-103 SU-103	3x 100 series	67 x 36 30 x 74 30 x 74	10L x 10L 1/2" x 1/2" 1/2" x 1/2"	ALU STEEL STAINLESS	6 / 0.6 5 / 0.5 5 / 0.5
AL-400	4x 100 series	90 x 36	10L x 10L	ALU	6 / 0.6
SS-305	5x 300 series	48 x 125	1" x 1"	STEEL	5 / 0.5
SS-306	6x 300 series	48 x 125	1" x 1"	STEEL	5 / 0.5

www.tris.pro





Triple R

AL | SS | SU
series

TRIPLE R OIL CLEANER: BU SERIES FILTERELEMENT SELECTION CHART

TRIPLE R 100 SERIES ELEMENT SELECTION CHART FOR AL, SS AND SU 100 SERIES

MODEL	D-100	E-100	E-100 SP	M-100	X-100	WE-100	WG-100
ARTICLE #	TR-20000	TR-20470	TR-20472	TR-20430	TR-25450	TR-20450	TR-25470
MICRON*	2	5	5	2	10	X	10
BETA	75	539	539	200	145	X	93
FLUID	hydraulic oil	hydraulic, engine oil, fuel	compressor fluids	hydraulic oil, fuels	lubrication oil	hydraulic, lubrication, engine oil	glycols
REMARKS	high dirt capacity					high water capacity	
IMAGE							

TRIPLE R 300 SERIES ELEMENT SELECTION CHART FOR SS 300 SERIES

MODEL	D-300	E-300	M-300	X-300	E-300	M-300	X-300
ARTICLE #	TR-20515	TR-20510	TR-20520	TR-20512	TR-20540	TR-20530	TR-20550
MICRON*	2	5	2	10	5	2	10
FOR	305	305	305	305	306	306	306
BETA	75	539	200	145	539	200	145
FLUID	hydraulic oil	hydraulic, engine oil, fuel	hydraulic oil	lubrication oil	hydraulic, engine oil, fuel	hydraulic oil	lubrication oil
REMARKS	high dirt capacity						
IMAGE							

*All ratings are absolute ratings, multipass tested.

www.tris.pro





Triple R

AL | SS | SU series

TRIPLE R OIL CLEANER: AL | SS | SU SERIES ORDER CODE GENERATOR, HOW TO ORDER

SERIES	HOUSING	VERSION	GASKET
TABLE 1	TABLE 2	TABLE 2	TABLE 3

TABLE 1	CODE
AL SERIES	AL
SS SERIES	SS
SU SERIES	SU

TABLE 2	CODE
AL SERIES	100 (1 housing) 200 (2 housings) 300 (3 housings) 400 (4 housings)
SS SERIES	102 103 305 306
SU SERIES	102 103

TABLE 3	CODE
NBR GASKET (standard)	leave empty
VITON GASKET (housing gasket)	V

COMPLETE EXAMPLE ORDER CODE*							
SU	102						

* more options and custom engineered systems are available, contact us for more information





Triple R

AL | SS | SU series

TRIPLE R OIL CLEANER: AL | SS | SU SERIES EXAMPLES

**AL | SS | SU SERIES BYPASS OIL CLEANERS ARE
PERFECT FOR:**

Marine applications:
- (Main) Engines
Hydraulic applications
Gearboxes
Wind turbines
& much more

check out www.tris.pro for more information



www.tris.pro

