

BU series



TRIPLE R OIL CLEANER: BU SERIES BYPASS OIL CLEANERS



BU series

BYPASS OIL CLEANER



Triple R

TRIS | Triple R Industrial Services
Triple R Oil Cleaner

www.tris.pro

www.tris.pro

Triple R Oil Cleaner | TRIS: importer, sales, assembly and engineering of Triple R products. Incentive provider of the Green Award.
Get in contact: Topaasstraat 5 7554 TJ Hengelo the Netherlands. T: +31(0)742428109 E: info@tris.pro W: www.tris.pro
© 2018 TRIS B.V. all rights reserved



Effectively remove particles, water and varnish!

The BU series for hydraulic oil from Triple R has been designed to purify and keep oil clean. The system ensures effective filtering of all dirt particles, condensation and oxidation products (resins) that cannot usually be removed with conventional filters.

How it works

The system is connected as a bypass on a pressure (max. 343 bar) line.

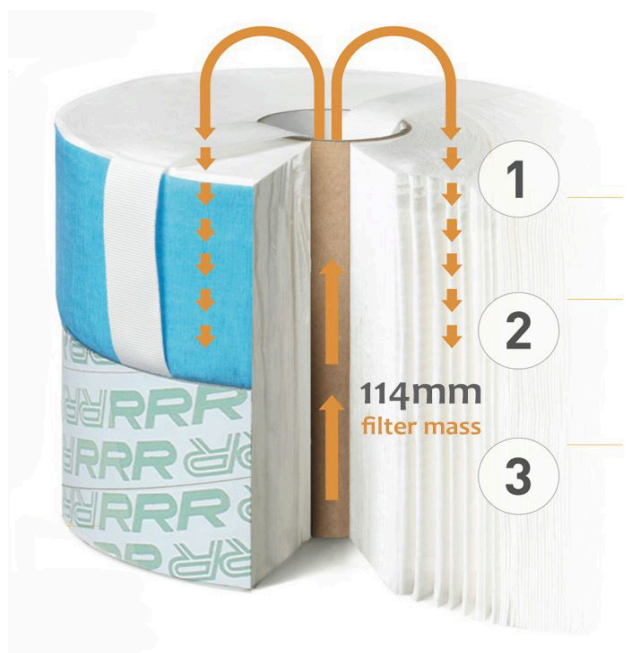
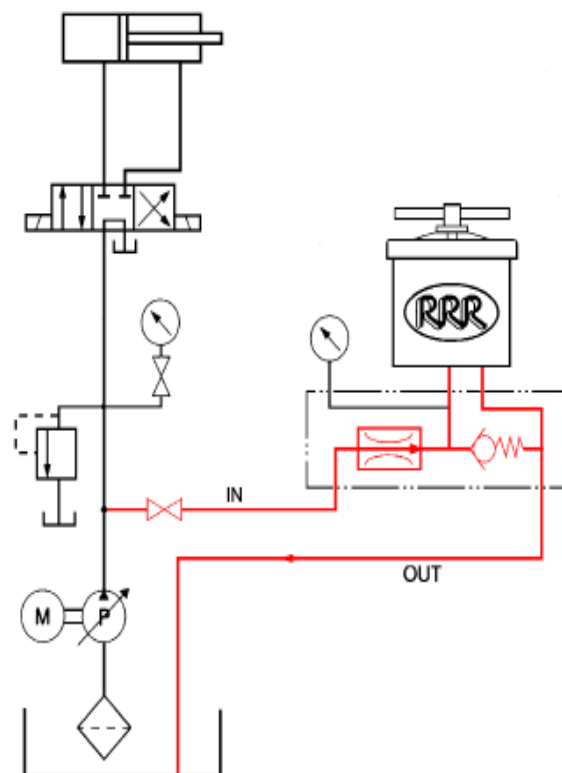
Benefits

- Prevents defects in hydraulic systems
- Improves the reliability & productivity of your machines
- Extends the life of all hydraulic components, such as pumps, servo valves and seals
- Extends the life of the oil
- Extends the service life of standard filters
- Reduces maintenance costs
- Reduces oil consumption
- Reduces machine downtime

Technology

The oil is forced axially through the filter element with a pressureless return to the tank.

The BU series are available in a range of models including stainless steel.



- 1st stage**
big particles are retained on the top of the filter
- 2nd stage**
small particles are trapped in the mid stage of the filter element
- 3rd stage**
the smallest particles are trapped in the lower and compressed part of the filter.

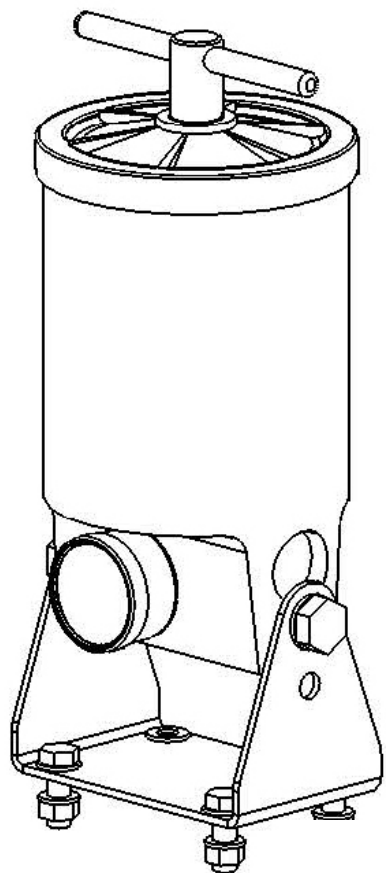
www.tris.pro



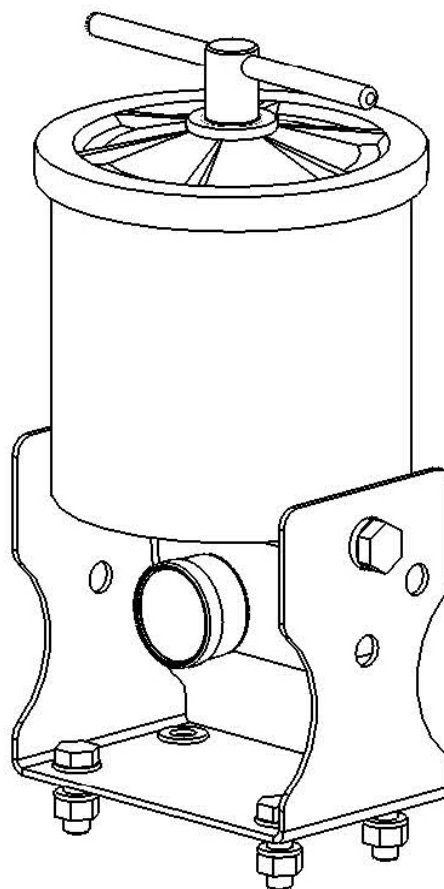
Triple R

BU
series

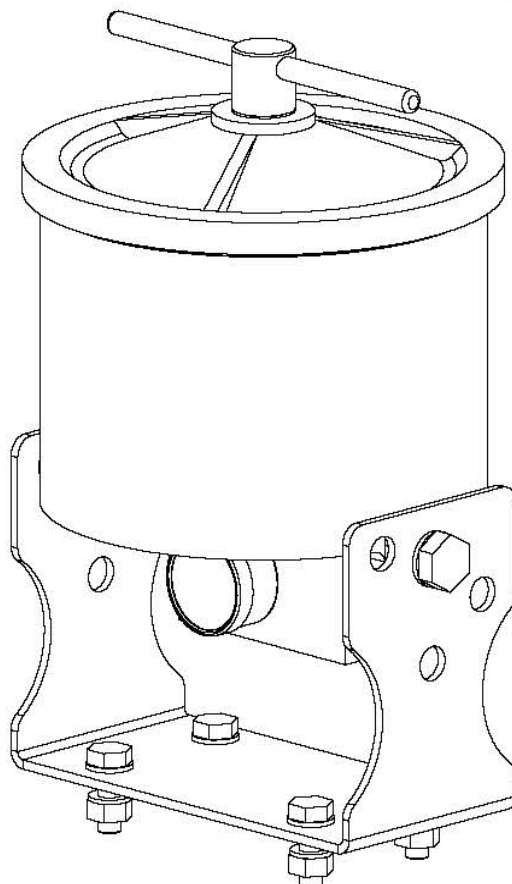
TRIPLE R OIL CLEANER: BU SERIES EXAMPLES



BU 30 OIL CLEANER



BU 50 OIL CLEANER



BU 100 OIL CLEANER

www.tris.pro





Triple R

BU
series

TRIPLE R OIL CLEANER: BU SERIES SELECTION CHART FOR HYDRAULIC OILS

| | | TOTAL HYDAULIC OIL VOLUME BASED ON MAX 180cSt | | | | | |
|--------------------------------------|---------|--|--------|--------|---------|---------|---------|
| TRIPLE R SYSTEM FOR YOUR APPLICATION | MODEL | < 300L | < 450L | < 600L | < 1200L | < 1800L | > 1800L |
| | BU-30 | | | | | | |
| | BU-50 | | | | | | |
| | BU-100 | | | | | | |
| | BU-200 | | | | | | |
| | BU-300 | | | | | | |
| | Request | | | | | | |

TRIPLE R BU SERIES FOR **HYDAULIC OIL** TECHNICAL DATA

| MODEL | Capacity | # of elements | Dimensions (cm) | IN / OUT | Material | Max. pressure (bar / MPa) |
|---------|----------|---------------|-----------------|-------------|-----------|---------------------------|
| BU-30 | 1.0L/min | 1x 30 series | 14 x 12 x 29 | 1/4" x 1/4" | ALU | 343 / 34.3** |
| BU-50 | 1.5L/min | 1x 50 series | 18 x 17 x 31 | 1/4" x 1/4" | ALU | 343 / 34.3** |
| BU-100* | 2.0L/min | 1x 100 series | 23 x 17 x 32 | 1/4" x 3/8" | ALU | 343 / 34.3** |
| BU-200* | 4.0L/min | 2x 100 series | 24 x 24 x 41 | 1/4" x 1/4" | STAINLESS | 343 / 34.3** |
| BU-300* | 6.0L/min | 3x 100 series | 24 x 24 x 77 | 1/2" x 1/2" | STAINLESS | 343 / 34.3** |

* Available in glycol (WG) version in identical size.

** Relief valve opens at 4,5 bar / 0.45 MPa

www.tris.pro





Triple R

BU
series

TRIPLE R OIL CLEANER: BU SERIES FILTERELEMENT SELECTION CHART

TRIPLE R **BU 30 & BU 50** ELEMENT SELECTION CHART

| SYSTEM | FOR BU30 | | | FOR BU50 | | | |
|-----------|------------------------------|---------------|-----------------|------------------------------|---------------|-----------------|----------|
| MODEL | E-30 | M-30 | X-30 | E-50 | M-50 | X-50 | WG-50 |
| ARTICLE # | TR-20270 | TR-20230 | TR-25250 | TR-20370 | TR-20330 | TR-25350 | TR-25620 |
| MICRON* | 5 | 3 | 10 | 5 | 3 | 10 | 10 |
| BETA | 539 | 929 | 145 | 539 | 929 | 145 | 93 |
| FLUID | hydraulic, engine oil, fuels | hydraulic oil | lubrication oil | hydraulic, engine oil, fuels | hydraulic oil | lubrication oil | glycols |
| IMAGE | | | | | | | |

TRIPLE R **BU 100** ELEMENT SELECTION CHART

| MODEL | D-100 | E-100 | E-100 SP | M-100 | X-100 | WE-100 | WG-100 |
|-----------|--------------------|-----------------------------|-------------------|----------------------|-----------------|------------------------------------|----------|
| ARTICLE # | TR-20000 | TR-20470 | TR-20472 | TR-20430 | TR-25450 | TR-20450 | TR-25470 |
| MICRON* | 3 | 5 | 5 | 3 | 10 | X | 10 |
| BETA | 458 | 539 | 539 | 929 | 145 | X | 93 |
| FLUID | hydraulic oil | hydraulic, engine oil, fuel | compressor fluids | hydraulic oil, fuels | lubrication oil | hydraulic, lubrication, engine oil | glycols |
| REMARKS | high dirt capacity | | | | | high water capacity | |
| IMAGE | | | | | | | |

*All ratings are absolute ratings, multipass tested.

www.tris.pro





Triple R

BU
series

TRIPLE R OIL CLEANER: BU SERIES ORDER CODE GENERATOR, HOW TO ORDER

| MODEL | HOUSING | VERSION | GASKET |
|-------|---------|---------|---------|
| BU | TABLE 1 | TABLE 2 | TABLE 3 |

| TABLE 1 | CODE |
|----------------|------|
| Single house | 50 |
| Single house | 100 |
| Two elements | 200 |
| Three elements | 300 |

| TABLE 2 | CODE |
|----------------------|-------------|
| Standard (hydraulic) | Leave empty |
| Water glycol | WG |

| TABLE 3 | CODE |
|-------------------------------|-------------|
| NBR GASKET (standard) | leave empty |
| VITON GASKET (housing gasket) | V |

| COMPLETE EXAMPLE ORDER CODE* | | | | | | | |
|------------------------------|-----|--|--|--|--|--|--|
| BU | 100 | | | | | | |

* more options and custom engineered systems are available, contact us for more information





Triple R

BU
series

TRIPLE R OIL CLEANER: BU SERIES EXAMPLES

**BU SERIES BYPASS OIL CLEANERS ARE
PERFECT FOR:**

**Mobile hydraulics
Injection Moulding Machines
General Hydraulics
& much more!**

**check out www.tris.pro for more information
or contact us: +31(0)742428109 info@tris.pro**



www.tris.pro