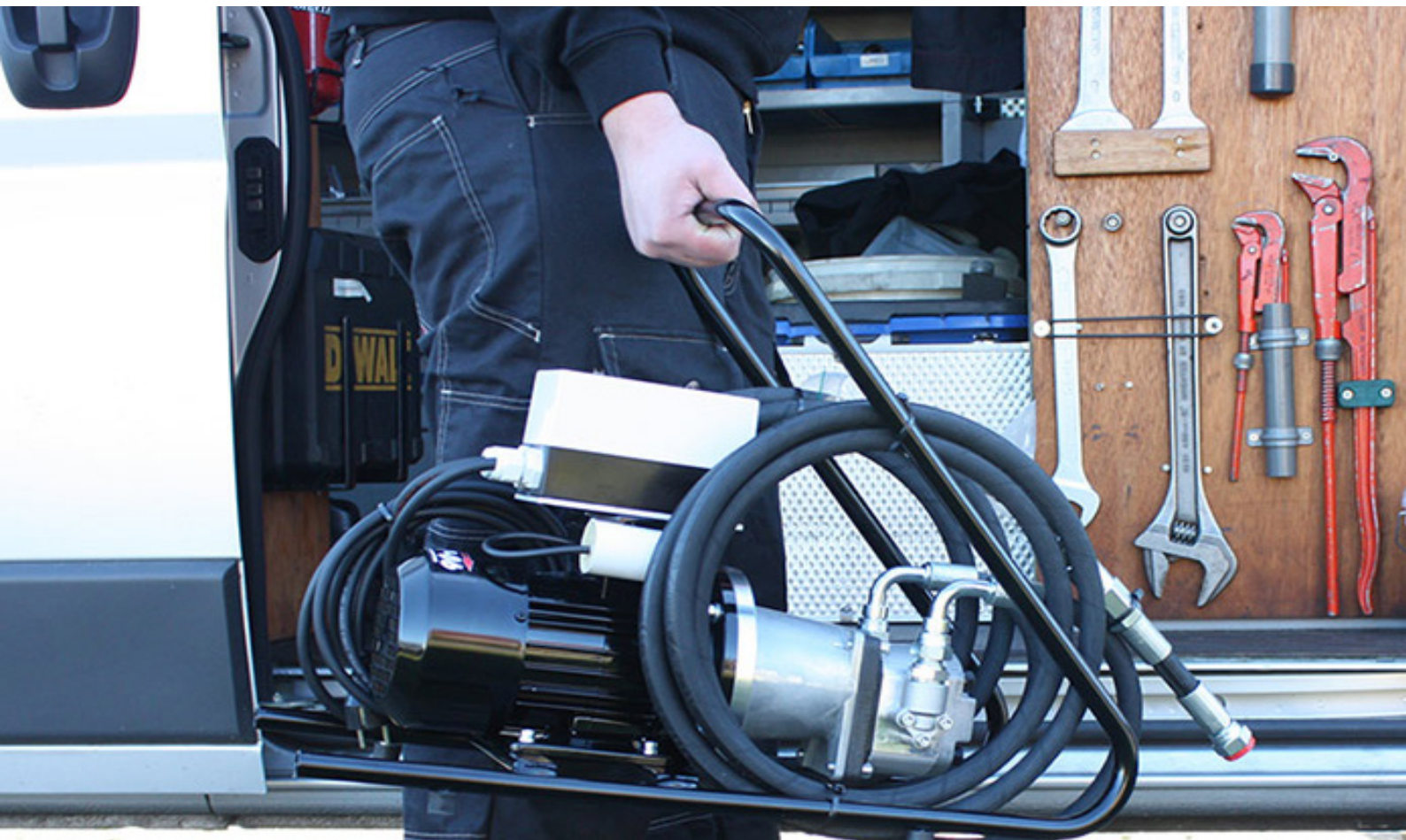




VP
series



TRIS VP SERIES OIL TRANSFER PUMPS



OIL TRANSFER PUMPS



www.tris.pro



Easy to use, portable and powerful!

The VP series transfer pumps from TRIS are the original transferpumps useable for many fluids from (hydraulic) oil(s) to ammonia. The VP-06 and VP-20 can operate up to 20 Bar making it the ideal partner in transferring fluids into cooling systems. The VP-05, our smallest transfer pump, and can operate up to 8 Bar working pressure.

How it works

The VP systems all come standard with hoses, just connect and start transferring fluids.

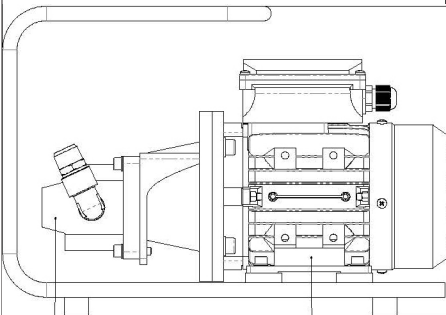
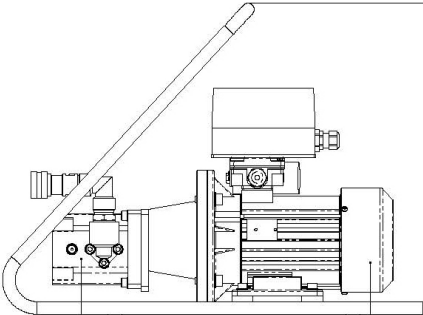
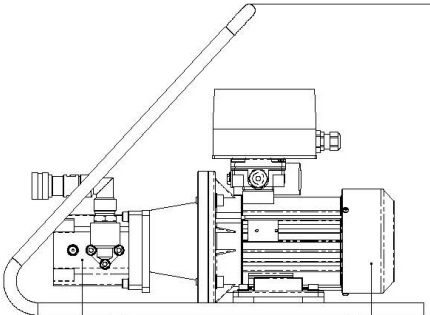
Benefits

- Lightweight, portable systems
- Up to 20 Bar working pressure (VP-06 and VP-20)
- For use with many types of fluids, optional suction or pressure filter available
- All VP- series come with hoses, just plug and play
- Checkvalve included in return hose to ensure one- way direction
- The perfect companion in your maintenance vehicle or workshop
- Available in 110V, 230V and 400V





VP- series selection table

MODEL	VP-05	VP-06	VP-20
			
I/O	3/8" x 3/8"	1/2" x 1/2"	1/2" x 1/2" (Quick couplings)
Weight	~ 9,2 KG	~ 16,5 KG	~ 19,0 KG
Size	~ 37 x 26 x 18cm	~ 60 x 26 x 46cm	~ 60 x 26 x 46cm
Bar	8 Bar max. working pressure	20 Bar max. working pressure	20 Bar max. working pressure
Temp.	Max. fluid temp: 80 °C	Max. fluid temp: 80 °C	Max. fluid temp: 80 °C
cSt.	10 - 460 cSt @ 40°C	10 - 460 cSt @ 40°C	10 - 460 cSt @ 40°C
Flow	5L./min	6L./min	20L./min
Hoses	2 x 3m includes checkvalve	2 x 3m includes checkvalve	2 x 3m includes checkvalve



check out www.tris.pro for more information
or contact us: +31(0)742428109 info@tris.pro